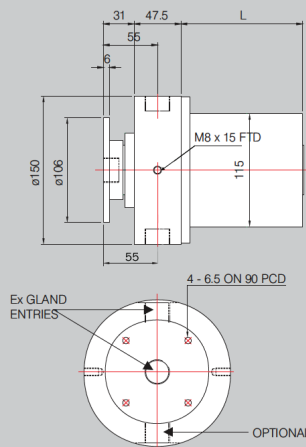
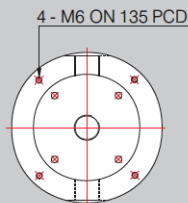




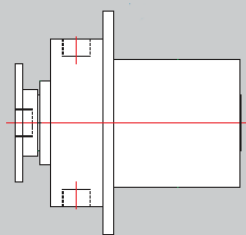
TX4705.00.10



TX4705.00.11

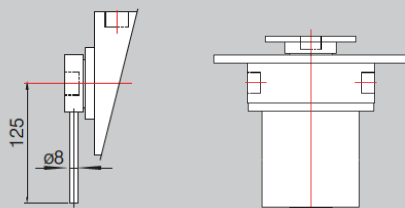


TX4705.00.12



TX4705.00.20
/ .21 / .22 / .23

TX4705.00.13



Dimension L: dependent on number of Slip Rings

Explosion Protected Group IIB Zone 1

Ex d IP66 Enclosure | 316 Stainless Steel

For Cable Winches, Cranes, Rotating Bridges, Swivel Stacks and Material Handling Equipment

OPTIONS

- Drive and mounting arrangements to suit Customer's requirements
- Fibre Optic Rotary Joint
- Combined with fluid/gas swivel (inert gases only)
- Special features to handle I.S. circuits
- Increased ambient temperature range -40 °C to +60 °C (T135 °C)

OPERATING SPECIFICATION

Ambient Temperature Range	-20 °C to +40 °C (see options)
Maximum Speed	100 rpm (higher on request)
Maximum Voltage	2000V ac
Ring Ratings	5 to 32 Amps
Maximum Current Throughput	268 Amps

TECHNICAL DETAILS

Material	316 Stainless Steel (External Components)
Bearings	Sealed for life ball journal
Slip Rings	Phosphor bronze (precious metal plated for signals)
Brushes	Copper Graphite (silver graphite for signals)
Fasteners	Stainless Steel Metric

CABLING

Entries	Shaft 1-M16, M20, M25 or M32 Housing 1 or 2 M16, M20, M25 or M32
Glands	Ex d IIB or IIC
Termination	By customer (subject to ring rating or Trolex fitted flying leads)

APPROVAL

Certification	ATEX	CML 15ATEX1013X II 2 GD Ex d IIB T6 Ex tb IIIC T85 °C Db T _{amb} -20 °C to +40 °C
	IECEx	IECEx CML 15.0005X Ex d IIB T6 T _{amb} -20 °C to +40 °C Ex tb IIIC T85 °C Db